

The Adjustable Plant Shelf

Slip-in pegs allow instantaneous adjustment of the main plant shelf height.

Here's an Adjustable Plant Shelf featuring a design that makes it universal enough to work with virtually any home decor — and simple enough to build that you'll have plenty of opportunities for some nice profits when you sell them at craft shows, festivals and flea markets.

We suggest that you offer different priced models made of different woods (water resistant woods like Western red cedar, cypress, teak or redwood are best)...and with either three, four or five shelves for each unit. You can even offer additional shelves (with pegs), individually as "accessories". Plus, if our dimensions don't suit your fancy, feel free to change them. With a project like this, it's really easy.

Each shelf is a simple frame with cross-lapped notches that accept notched, drop-in slats that will form the shelf bottoms while allowing light to pass through to the plants below. The frame corners have 1/2" diameter peg (E) holes that mate-up with matching hole patterns in the four vertical stiles (D).

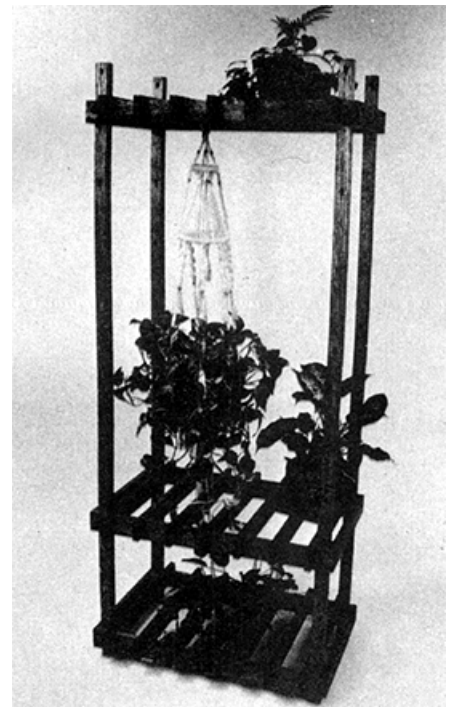
You'll find that the easiest tool to use when making these cross-laps is the Dado Blade. Set everything to make 3/4" wide dadoes, 1" deep. Use your Rip Fence with a piece of wood attached to its face to serve as a stop when cutting these laps equidistant from both ends of your shelf slats (C) and frame sides (A&B).

Assemble the frames with waterproof glue and woodscrews (brass or stainless steel screws are best), since they won't rust. Don't glue in the center slats on each shelf...only the two slats on each shelf end that attach to the vertical stiles.

Cut the four vertical stiles (D) from 1-1/2" x 1-1/2" stock that's at least 6" long. Using your Drill Press, bore the 1/2" peg holes every 8" along their lengths. The top and bottom holes should be 4" in from either end.

Finally, turn the pegs you'll be needing for each shelf, then place and assemble each shelf to the vertical stiles.

Suggested retail price: \$25 and up, depending on number of shelves included and wood species used.



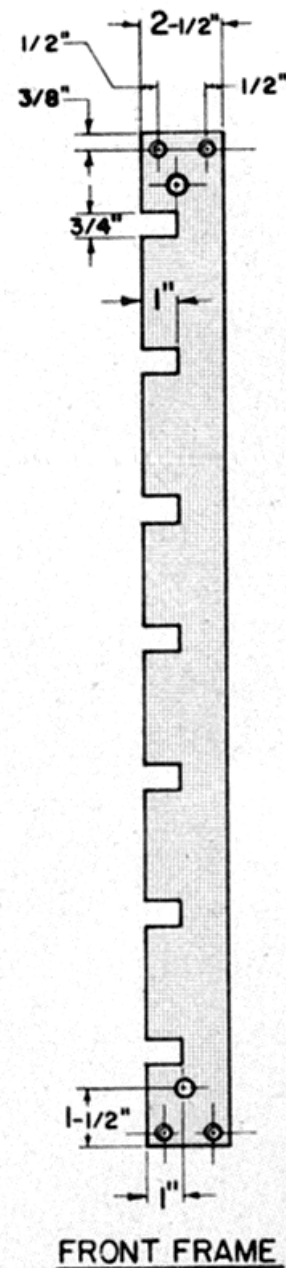
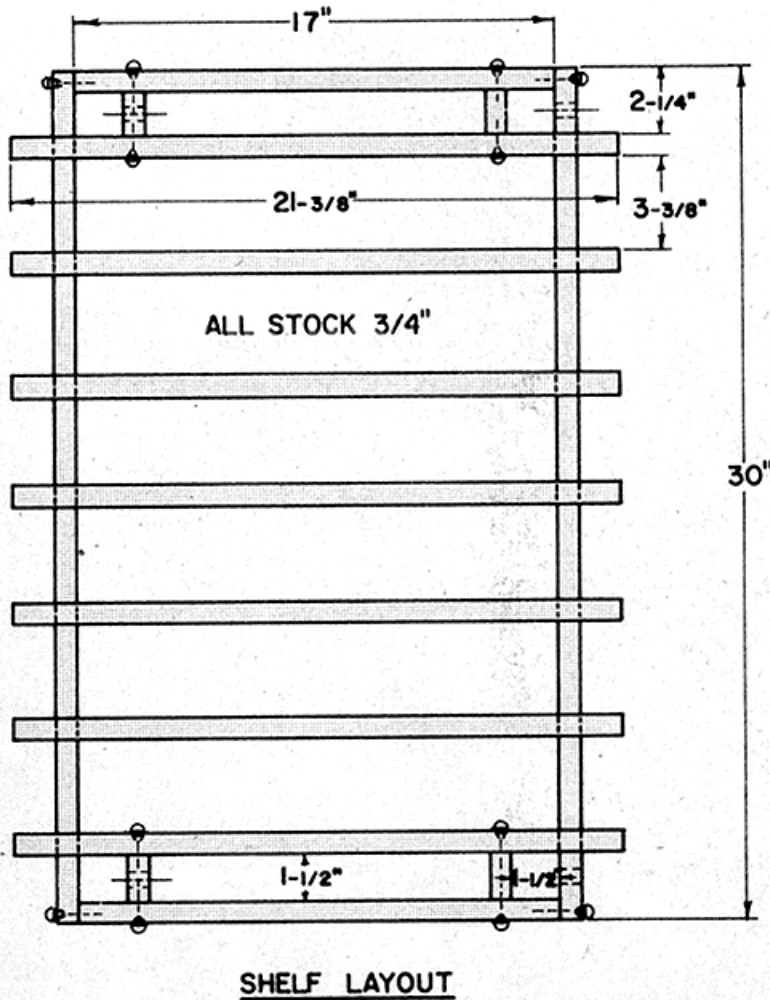
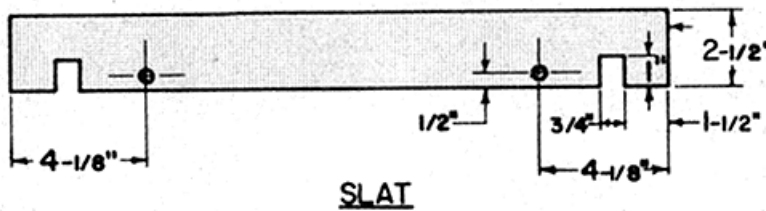
Bill of Materials

(dimensions in inches)

A:	Front frames (6)	$3/4 \times 2-1/2 \times$ (length)
B:	Side frames (6)	$3/4 \times 2-1/2 \times 17$
C:	Slats (x)	$3/4 \times 2-2/2 \times 17$
D:	Vertical stiles (4)	$1-1/2 \times 1-1/2 \times 72$
E:	Peg blanks (12)	$1-1/4$ square x 2 long
F:	Peg blocks (12)	$3/4 \times 2 \times 1-1/2$

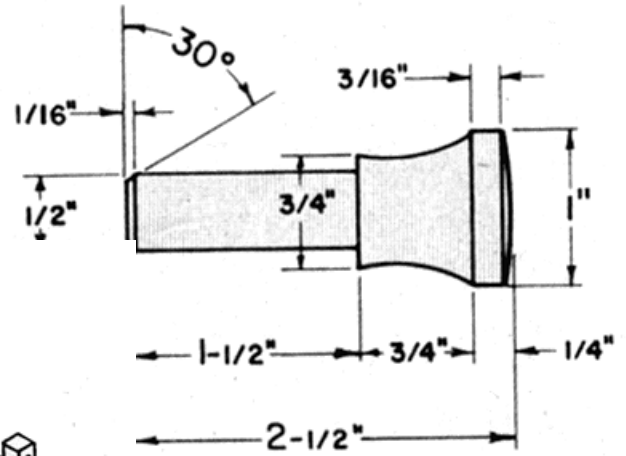
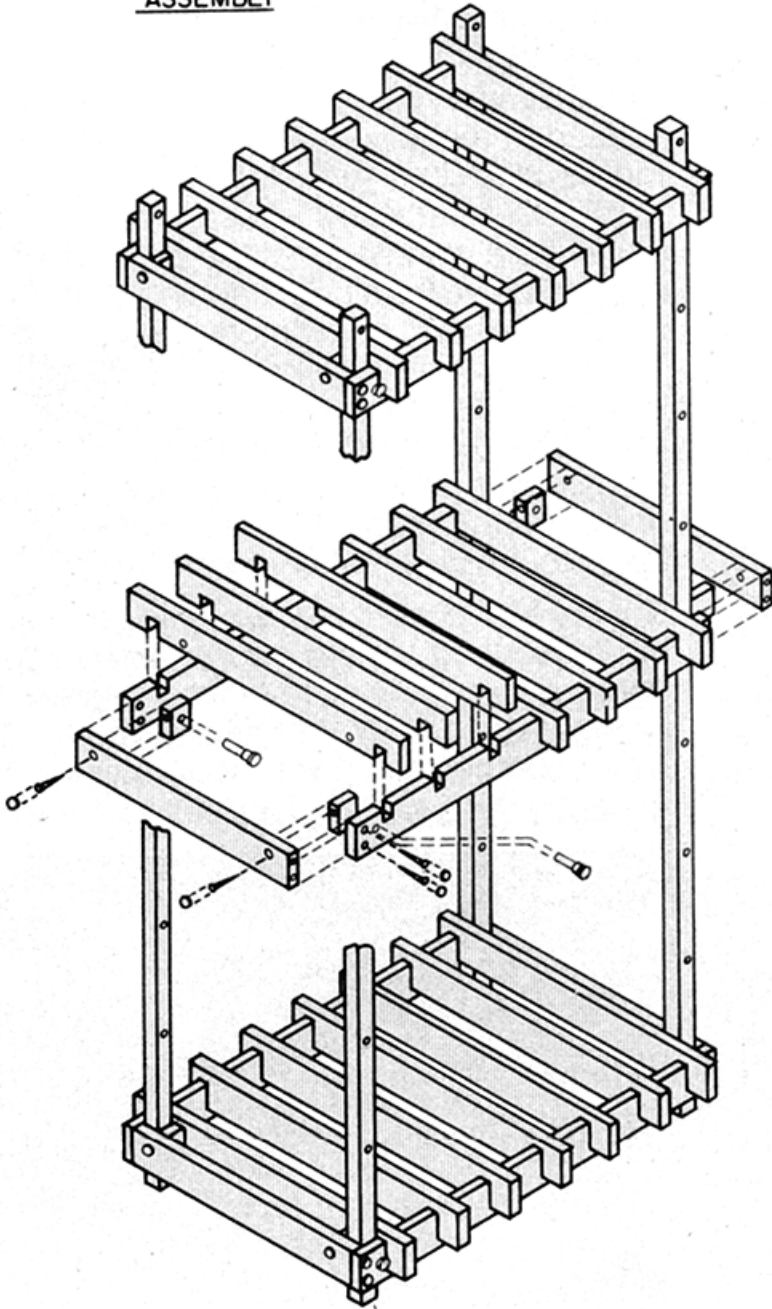
Hardware

Brass or stainless wood screws (36)	$1-1/2'' \times \#10$ (flathead)
Dowel buttons (36)	$3/8''$ dia (for covering screw heads, if preferred)



ADJUSTABLE PLANT SHELVES

ASSEMBLY



PEG